

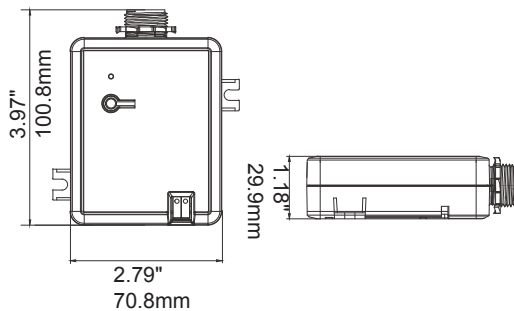


FEATURES

- 20A rated contact allows the BMWC-L104S Zone Controller to switch a large zone of lighting compared to an in-fixture controller.
- External 0-10V Dimming port allows sink current 48.5mA.
- Sensor port option provides a RJ-45 port which allows up to 10 BMS-L107 low voltage sensors to be connected.
- UL Plenum Rated.

PHYSICAL DIMENSIONS

Unit:inch/mm



1/2inch US standard knockout

AMERICAN INCH PRODUCTS		
Size	T.P.I	Major Dia.
	inch	inch
R1/2		0.825

TECHNICAL DATA

Input Voltage: AC120-277V
 Frequency: 50/60Hz
 Input Current: 20A Max
 Input Power: 2400W Max @ 120V,
 5540W Max @ 277V
 Output Voltage: AC120-277V
 Output Current: 20A Max
 Output Power: 2400W Max @ 120V,
 5540W Max @ 277V
 Dimming: Class 2, 0-10V DC 10mA Max
 Sinking Current: 48.5mA Max

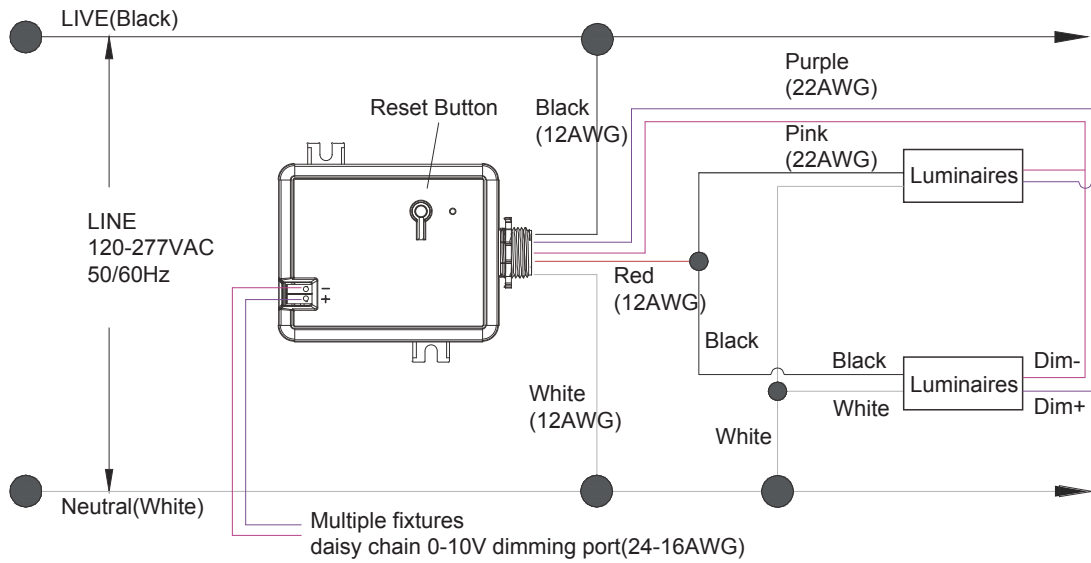
Bluetooth Transmit: 200ft Max
 Radio Frequency: 2.4GHz ± 75MHz
 Bluetooth Version: 5.0
 Housing Material: UL 94-5VA,
 Indoor Use Only
 Operating Temperature: -30°C to 55°C,
 -22°F to 131°F
 Storage Temperature: -30°C to 85°C,
 -22°F to 185°F
 IP Rating: IP20
 Color: White
 Warranty: 5 years warranty

Comply to UL8750,UL2043,UL1376,RoHS
 Safety: cULus Listed LED Controller

ORDERING INFORMATION

MODEL	DESCRIPTION
BMW-C-L104S-1-BLE-KL	Zone Controller 120-277V 20A

WIRING DIAGRAM



Ref#: 20240717

WARRANTY

Five year limited warranty.

Specifications subject to change without notice.